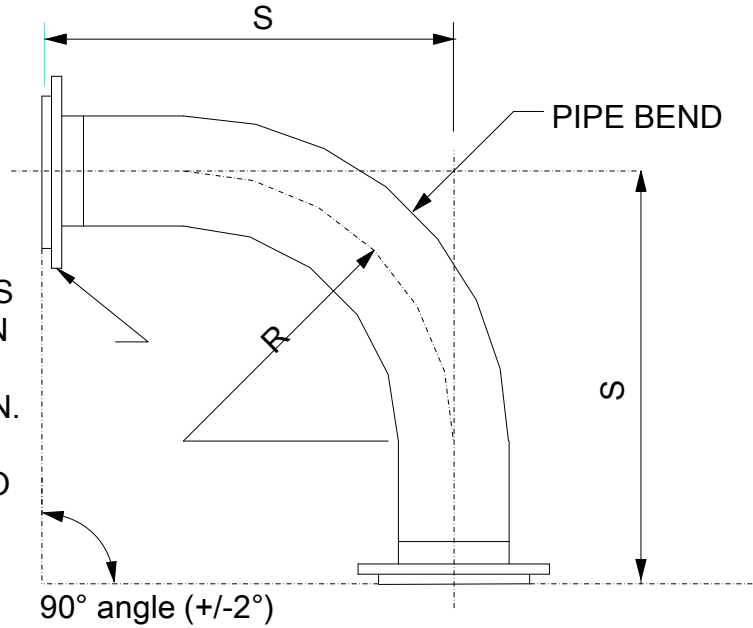


90° FLANGED ARC™BEND

STANDARD  
FLANGED FITTINGS  
USE DUCTILE IRON  
ANSI B16.5 CLASS  
150 BOLT PATTERN.  
SS OR EPOXY  
COATED ARE ALSO  
AVAILABLE



SIZE	R	S
2" IPS	7.13"	14.86"
3" IPS	10.50"	18.23"
4" IPS	13.50"	21.23"
6" IPS	19.90"	28.91"
8" IPS	24.50"	36.74"
10" IPS	32.25"	45.91"
12" IPS	38.30"	54.45"
14" IPS	38.90"	55.84"

- SPECIFICATIONS**
1. Bend is manufactured in one continuous piece of HDPE pressure pipe at the angle specified by the engineer, with an angular tolerance of +/- 2° without reversion.
  2. Center line radius of curvature generally 3 x outside diameter of the pipe. Meets Pipestar's published dimensional schedule. Dimensional tolerance +/- 3/4" (+/-20 mm).
  3. Only ARC™bends as manufactured by Pipestar International Inc. will be considered approved. All others must submit technical data and samples to be considered for approval.

**PIPESTAR INTERNATIONAL INC.**

**58 Paramount Road, Winnipeg, Manitoba, Canada**

**Phone (204) 949-3910, Fax (204) 949-3919**

**Email: [info@arcbends.com](mailto:info@arcbends.com)**